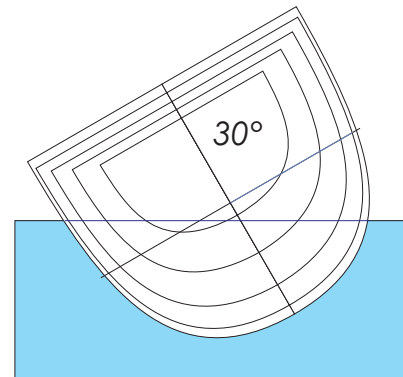


Note:
85 g weight reduction
maintain the same LWL
length.



rg65
~~Arrow~~ 3b
By ClaudioD

LOA	650 mm
LWL	650 mm
Beam	96 mm
Wbeam	90 mm
Wplan	413 cm ²
Draft	40 mm
DSPL	1071 cm ³
App.	85 cm ³
Tot.DSPL	1156 cm ³
Construct.	481 g
Bulb	675 g
Ratio	58.3 %
Sail Plan	2250 cm ²
CP	0.591
LCB	-3.3%